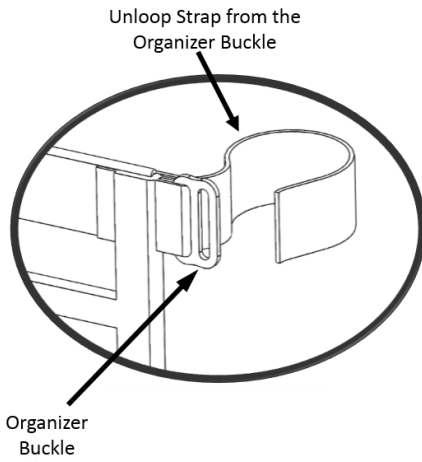
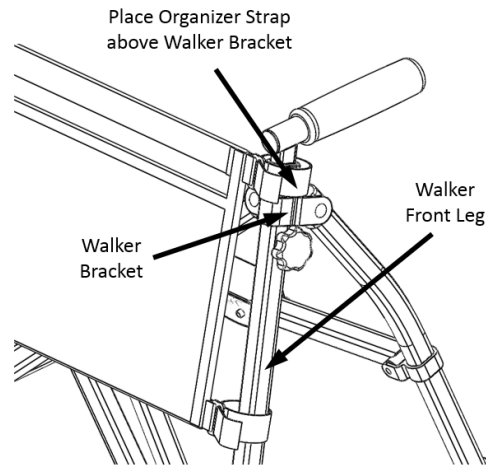


INSTRUCTIONS FOR ATTACHING THE ORGANIZER:

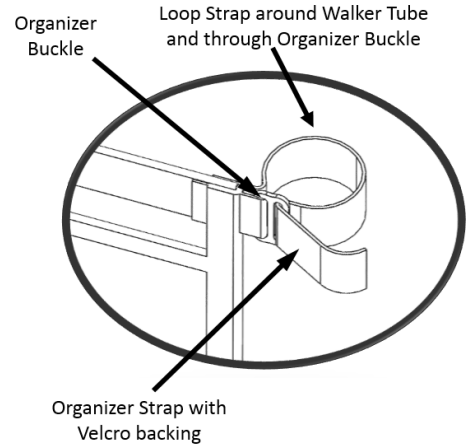
1. Unloop the Strap from the Organizer Buckle as shown in **STEP-1**.
2. Place the top Organizer Strap above Walker Bracket as shown in **STEP-2**.
NOTE: Bottom Organizer Strap is secured below the Walker Bracket as shown in **STEP-2**.
3. Loop Strap around Walker Tube and through Organizer Buckle as shown in **STEP-3**.
4. Tighten Strap around Walker Tube and use the Velcro to secure Strap to the Walker.
5. Repeat process 1 through 4 on the remaining 3 Straps.



STEP-1



STEP-2



STEP-3

Organizer Installation V 1.0