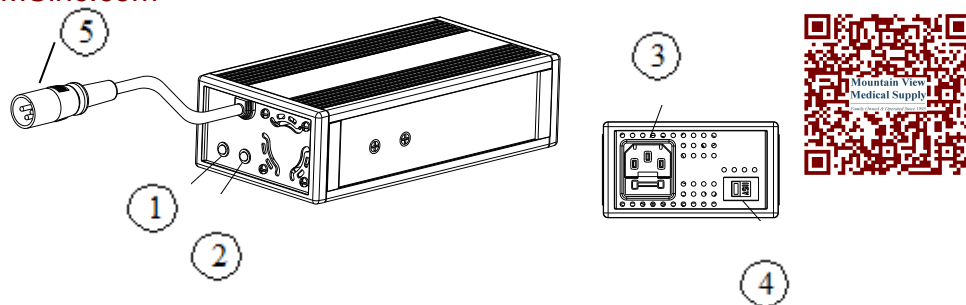


BATTERY CHARGER INSTRUCTION

1. Appearance

Mountain View Medical Supply
5076 W. 58th Ave. Arvada, CO 80002
303-455-1300 or 800-873-7121
MVMSinc.com

1. LED INDICATOR (CHARGE)
2. LED INDICATOR (POWER)
3. POWER SOCKET
4. (115V/230V) INPUT VOLTAGE ADJUSTER
5. OUTPUT PLUG TO BATTERY



2. Specification

| Item | Battery Charger (Switching Mode) | | |
|-----------------------|--|---------|---------|
| Model | 4F24040 | 4F24050 | 4F24060 |
| Output Current(DC) | 4A±0.2A | 5A±0.2A | 6A±0.2A |
| Charging Voltage(DC) | 28.8V±0.2V | | |
| Float Charging V.(DC) | 27.6V±0.2V | | |
| Input Current(AC) | 4/2A max. | | |
| Input Voltage(AC) | 115-230 Vac 60/50Hz (Manual Select) | | |
| Efficiency | AC-DC 80% | | |
| Performance | Switching Mode | | |
| Charging Method | Constant Current , Two Stage Constant Voltage | | |
| Battery Application | 24V Lead Acid Batteries (20Ahr ~ 60Ahr) | | |
| Output Detection | 1.Short Circuit Detection 2.Output Voltage / Current Limit 3.Reverse Power Protected 4.Overheat Detection | | |
| Operating Temperature | 0°C~40°C | | |
| Measurement | L 190mm×W 100mm×H 55mm | | |
| Weight | 965 g | | |
| Color | Black | | |

3. Operating Instruction

- (1) Manual adjust the correct input voltage (115V/230V).
- (2) Connect the plug of battery charger to the socket of battery.
- (3) Plug in the power cord. Turn the power on. Normally, The LED (Power) Light will turn on when electric current passes.
- (4) Charging starts. During charging, LED (Charge) will indicate orange light, when it turns to green light, that means well-charged.

4. LED Indication

- LED(POWER) - GREEN LIGHT ON: Power On.
LED(CHARGE) - ORANGE LIGHT ON: Charging.
GREEN LIGHT ON: Fully Charged.

5. Trouble Shooting

- (1) If LED(POWER) light is off
 - . Check the input voltage (115V/230V) is the same as you adjust.
 - . If light is still off, please check and repair the battery charger.
- (2) If LED(CHARGE) light is off
 - . Check to see the clips connection is correct.
 - . If the battery is fully charged, the LED (CHARGE) light will be off.
 - . If light is still off, the battery may be defective.
- (3) If ORANGE light can not turn to GREEN
 - . The battery can not be charged. Please check and recover it.
- (4) If ORANGE light turns to GREEN immediately
 - . Check to see the battery is fully charged, if not, The battery may be defective. Check and recover it.

6. Caution

- (1) To prolong charger life, do not connect the short output for long time.
- (2) Though charger charge automatically and can be used for deeply discharged battery, do not use for extremely discharged, short aged and defective battery.
- (3) Use the charger in a well-ventilated area.
- (4) Use for LEAD ACID batteries 12V (20-60Amp-Hr.) *2 only.
- (5) Do not use for voltage input except the specified.
(Make sure your present voltage input (115V or 230V) and adjust manually).