

DESCRIPTION

The Clean Shield seat is a 3" elevated toilet seat that is designed with the user's needs as the top priority. First and foremost is seat security... how safely is the seat mounted to the bowl? The patented Snap 2 Secure installation system prevents your Clean Shield seat from wobbling or loosening during use. When you need an elevated seat, either with or without arms, seat security is very important.

Seat security is not the only benefit we redefine. The stylish, residential appearance of the seat "hides" an innovative shield that keeps everything in the bowl. Our ring is engineered to be comfortable during use and has a high weight capacity rating. The hinges provide additional residential features one should expect with a "Best" level seat. Support Arms are also available separately for the Clean Shield seat.

The Clean Shield seat is redefining the expectations of users of elevated and armed seats.



USER BENEFITS

Appearance

- High end residential... looks great on the bowl
- Cover allows proper closure when not in use
- Smooth, glossy surface that is stain resistant

Shield

- Innovative "reverse funnel" design
 - Keeps everything in the bowl
 - Design avoids contact with waste
 - Discrete styling "hides" the shield
- Glossy surface is easy to clean

Ring

- Oversized ring provides additional comfort
- Ring's designed to eliminate pressure points
- Seat weight capacity: 1,000 lbs

Hinges

- Ring and Cover are hinged, providing easy access for cleaning and standing use of the toilet
- Self sustaining hinges prevent ring slamming and eliminate any layback issues

HARDWARE KIT

Snap 2 Secure™

- Patented system that prevents the seat from loosening
- Easy to install... Installation Head will snap off when the correct clamping force is reached
- Seat does not wiggle or loosen when the user is sitting or standing
- Installation Tool is included with the seat

SUPPORT ARMS

- Support Arms are available separately for your Clean Shield seat
 - Add them when you first purchase your seat
 - Or add later when you need a little bit more assistance
- Weight bearing Support Arms, tested to over 300 lbs per side
- Ergonomically positioned to properly support the user through the sitting and standing process
- Comfortable 21" width between the arms
- Width of arms allows ring to be placed in an upright position, allows easy cleaning and standing use of the toilet

PACKAGING & WEIGHTS

Individual Unit

- Individual Seat Weight: 6.99 lbs

Individual Packaged Unit

- Packaging: Corrugate Carton
- Packaged Seat Weight: 9.25 lbs
- Packaging Dimensions: 20.5 x 18.75 x 6.75

Master Carton

- 2 Individual Units
- Weight: 20.2 lbs
- Master Carton Dimensions: 19.13 x 14.25 x 21.19

Pallets

- Standard (45x48") Qty: 96

SPECIFICATIONS

- Style: Closed Ring, with Cover
- Size/Shape: Round
- Material: Polypropylene
- Hinges: Hybrid (Stainless steel & polypropylene)
- Hardware Kit: Snap 2 Secure™
- Bumpers: Ring: 4 Super Grip™
- Suggested Uses: Residential & Commercial

CLEANING

Use warm, soapy water to clean your seat.
DO NOT use abrasive cleaners!

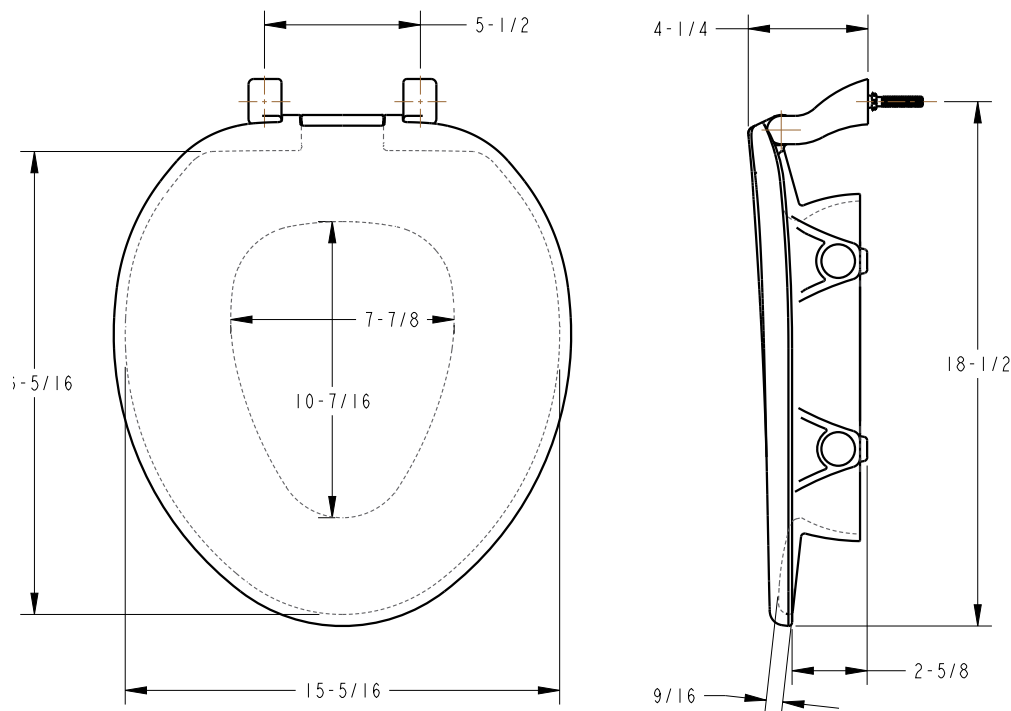
MADE IN

Proudly Made in the USA with 75% or More US Content

AVAILABLE COLORS

White

DIMENSIONS



DESCRIPTION

The Clean Shield seat is a 3" elevated toilet seat that is designed with the user's needs as the top priority. First and foremost is seat security... how safely is the seat mounted to the bowl? The patented Snap 2 Secure installation system prevents your Clean Shield seat from wobbling or loosening during use. When you need an elevated seat, either with or without arms, seat security is very important.

Seat security is not the only benefit we redefine. The stylish, residential appearance of the seat "hides" an innovative shield that keeps everything in the bowl. Our ring is engineered to be comfortable during use and has a high weight capacity rating. The hinges provide additional residential features one should expect with a "Best" level seat. Support Arms are also available separately for the Clean Shield seat.

The Clean Shield seat is redefining the expectations of users of elevated and armed seats.



USER BENEFITS

Appearance

- High end residential... looks great on the bowl
- Cover allows proper closure when not in use
- Smooth, glossy surface that is stain resistant

Shield

- Innovative "reverse funnel" design
 - Keeps everything in the bowl
 - Design avoids contact with waste
 - Discrete styling "hides" the shield
- Glossy surface is easy to clean

Ring

- Oversized ring provides additional comfort
- Ring's designed to eliminate pressure points
- Seat weight capacity: 1,000 lbs

Hinges

- Ring and Cover are hinged, providing easy access for cleaning and standing use of the toilet
- Self sustaining hinges prevent ring slamming and eliminate any layback issues

HARDWARE KIT

Snap 2 Secure™

- Patented system that prevents the seat from loosening
- Easy to install... Installation Head will snap off when the correct clamping force is reached
- Seat does not wiggle or loosen when the user is sitting or standing
- Installation Tool is included with the seat

SUPPORT ARMS

- Support Arms are available separately for your Clean Shield seat
 - Add them when you first purchase your seat
 - Or add later when you need a little bit more assistance
- Weight bearing Support Arms, tested to over 300 lbs per side
- Ergonomically positioned to properly support the user through the sitting and standing process
- Comfortable 21" width between the arms
- Width of arms allows ring to be placed in an upright position, allows easy cleaning and standing use of the toilet

PACKAGING & WEIGHTS

Individual Unit

- Individual Seat Weight: 6.97 lbs

Individual Packaged Unit

- Packaging: Corrugate Carton
- Packaged Seat Weight: 9.22 lbs
- Packaging Dimensions: 20.5 x 18.75 x 6.75

Master Carton

- 2 Individual Units
- Weight: 20.14 lbs
- Master Carton Dimensions: 19.13 x 14.25 x 21.19

Pallets

- Standard (45x48") Qty: 96

SPECIFICATIONS

- Style: Closed Ring, with Cover
- Size/Shape: Round
- Material: Polypropylene
- Hinges: Hybrid (Stainless steel & polypropylene)
- Hardware Kit: Snap 2 Secure™
- Bumpers: Ring: 4 Super Grip™
- Suggested Uses: Residential & Commercial

CLEANING

Use warm, soapy water to clean your seat.
DO NOT use abrasive cleaners!

MADE IN

Proudly Made in the USA with 75% or More US Content

AVAILABLE COLORS

White

DIMENSIONS

